



Most Widely Accepted and Trusted

ICC-ES Report

ESR-2058

ICC-ES | (800) 423-6587 | (562) 699-0543 | www.icc-es.org

Reissued 06/2015
This report is subject to renewal 06/2017.

DIVISION: 07 00 00—THERMAL AND MOISTURE PROTECTION
SECTION: 07 44 00—FACED PANELS

REPORT HOLDER:

MEXALIT INDUSTRIAL, S.A. DE C.V.

**SEGUNDO ANILLO PERIFERICO 6625
NUEVO LAREDO, TAMAULIPAS
MEXICO**

EVALUATION SUBJECT:

**MAXILITE P7, MAXILITE P10, SLATEMAX, SHAKEMAX, MAXISLATE AND
MAXISHAKE FIBER-REINFORCED CEMENTITIOUS ROOFING PRODUCTS**



Look for the trusted marks of Conformity!

“2014 Recipient of Prestigious Western States Seismic Policy Council (WSSPC) Award in Excellence”



ICC-ES Evaluation Reports are not to be construed as representing aesthetics or any other attributes not specifically addressed, nor are they to be construed as an endorsement of the subject of the report or a recommendation for its use. There is no warranty by ICC Evaluation Service, LLC, express or implied, as to any finding or other matter in this report, or as to any product covered by the report.



ICC-ES Evaluation Report

ESR-2058

Reissued June 2015

This report is subject to renewal June 2016.www.icc-es.org | (800) 423-6587 | (562) 699-0543

A Subsidiary of the International Code Council®

**DIVISION: 07 00 00—THERMAL AND MOISTURE
PROTECTION****Section: 07 44 00—Faced Panels****REPORT HOLDER:**

**MEXALIT INDUSTRIAL S.A. DE C.V.
SEGUNDO ANILLO PERIFERICO 6625
COLONIA EJIDO EL PROGRESO 88123
NUEVO LAREDO, TAMAULIPAS
MEXICO
011-52-867-890-0250
www.maxitile.com
salvador.fernandez@mexalit.com.mx**

EVALUATION SUBJECT:

**MAXILITE P7, MAXILITE P10, SLATEMAX, SHAKEMAX,
MAXISLATE AND MAXISHAKE FIBER-REINFORCED
CEMENTITIOUS ROOFING PRODUCTS**

ADDITIONAL LISTEE:

**MAXITILE, INC.
12950 COUNTRY PARKWAY, SUITE 180
SAN ANTONIO, TEXAS 78216
(210) 545-7300**

1.0 EVALUATION SCOPE**Compliance with the following codes:**

- 2006 *International Building Code*® (IBC)
- 2006 *International Residential Code*® (IRC)

Properties evaluated:

- Weather resistance
- Fire classification
- Wind uplift resistance

2.0 USES

The MaxiLite P7, MaxiLite P10, SlateMax, ShakeMax, MaxiSlate and MaxiShake roofing products are used as Class A or Class B roof covering materials.

3.0 DESCRIPTION

The MaxiLite P7, MaxiLite P10, SlateMax, ShakeMax, MaxiSlate and MaxiShake roofing products are composed of ASTM C150 Type I Portland cement, microsilica (fumed silica), proprietary fibers, pigments and water.

3.1 MaxiLite P7:

The finished panels have six corrugations and are 39.2 inches wide by 24 inches long by 0.24 inch thick (996 mm by 610 mm by 6.1 mm). See Figure 1. The installed weight of the MaxiLite P7 is 4.0 pounds per square foot (19.5 kg/m²), with a head lap of 4 inches (102 mm) and a side lap of one corrugation.

3.2 MaxiLite P10:

The finished panels have four corrugations and are 36.7 inches wide by 24 inches long by 0.24 inch thick (932 mm by 610 mm by 6.1 mm). See Figure 2. The installed weight of the MaxiLite P10 is 4.0 pounds per square foot (19.5 kg/m²), with a head lap of 4 inches (102 mm) and a side lap of one corrugation.

3.3 SlateMax and ShakeMax:

The panels have a surface texture simulating slate or woodgrain. The products are 48 inches wide by 16 inches long by 0.25 inch thick (1219 mm by 406 mm by 6.4 mm). See Figure 3.

The panels have vertical 0.25-inch-wide (6.4 mm) slots spaced 6, 8 and 12 inches (152, 203 and 305 mm) apart that extend 7.25 inches (184 mm) up from the bottom of the panel. The installed panels weigh 4.9 pounds per square foot (23.9 kg/m²) when installed with a minimum head lap of 9 inches (229 mm).

SlateMax and ShakeMax panels are also available with a staggered edge. See Figure 4. The installed staggered edge panels weigh 5.7 pounds per square foot (28 kg/m²) when installed with a minimum head lap of 9 inches (229 mm).

3.4 MaxiSlate and MaxiShake:

The units have a surface texture simulating slate or woodgrain. The products are 18 inches long by 0.25 inch thick (457 mm by 6.4 mm), with widths of 6, 8 or 12 inches (152, 203 and 305 mm). The installed panels weigh 4.7 pounds per square foot (23 kg/m²) when installed with a minimum head lap of 10 inches (254 mm).

3.5 Adhesive:

Polyurethane construction adhesive must comply with American Plywood Association AFG-01, ASTM C557 or ASTM D3498.

3.6 Fasteners:

All fasteners must be corrosion-resistant metal (galvanized steel, stainless steel, aluminum or copper) and must comply with dimensions as noted in Section 4.0 or as described in this section.

3.6.1 Exposed Fastener: 4¹/₂-inch-long (114.3 mm), 0.175-inch-shank (4.44 mm), 0.375-inch-head-diameter (9.52 mm) corrosion-resistant lag screw with 1¹/₂-by-1¹/₂ inch (38.1 by 38.1 mm) galvanized washer with neoprene bushing. The lag screw complies with SAEJ403 low carbon steel wire grade 1022.

3.6.2 Hidden Fastener: Ring shank nail, complying with ASTM F1667, a minimum of 1³/₄ inches (44.5mm) long and with a 0.13 inch (3.3mm) shank diameter and with a 1-inch-square (25.4 mm) cap washer (cap and nail). In lieu of nails, a 0.12-inch-shank-diameter (3.0 mm) by 1³/₄-inch-long (44.45 mm) corrosion-resistant screw, with a 0.375-inch (9.5 mm) head diameter and a neoprene lined washer, can be used.

3.6.3 Wind Clip: Wire clip, 1/₈-inch (3.3mm) diameter conforming to ANSI 1075.

3.6.4 Nails: Corrosion resistant 8d common.

4.0 INSTALLATION

4.1 Roof Slope Limitations:

MaxiLite P7 and MaxiLite P10 panels must be installed on roof slopes from 3:12 to 21:12 (25 to 175 percent slope). Installation on roof slopes of less than 3:12 (25 percent slope) is considered decorative only, and the panels must be installed over an approved roof covering complying with the applicable code.

SlateMax and ShakeMax panels, and MaxiSlate and MaxiShake units, must be installed on roof slopes from 4:12 to 21:12 (33 to 175 percent slope). Installation on roof slopes of less than 4:12 (33 percent slope) is considered decorative only, and the units must be installed over an approved roof covering complying with the applicable code.

4.2 Sheathing and Underlayment:

4.2.1 Class A New Construction: One layer of nonperforated Type II (No. 30) felt complying with ASTM D226 and one layer of 72-pound (32.4 kg) mineral-surfaced nonperforated cap sheet complying with ASTM D3909 must be installed over code-complying solid-wood sheathing. In areas where the average daily temperature in January is 25°F (-3.9°C) or less, or where there is a possibility of ice forming along the eaves and causing a backup of water, the Type II (No. 30) felt and the 72-pound (32.4 kg) mineral-surfaced cap sheet must be solid-cemented together with asphalt roofing cement, complying with ASTM D4586, between the layers. The two layers must extend from the eave to a point 24 inches (610 mm) inside the exterior wall line of the building.

4.2.2 Class B New Construction: One layer of nonperforated Type II (No. 30) felt complying with ASTM D226 must be installed over code-complying solid-wood sheathing. In areas where the average daily temperature in January is 25°F (-3.9°C) or less, or where there is a possibility of ice forming along the eaves and causing a backup of water, two layers of Type I (No. 15) felt underlayment complying with ASTM D226 must be applied shingle-fashion, and solid-cemented together. The two layers must extend from the eave up the roof to a point 24 inches (610 mm) inside the exterior wall line of the building.

4.3 MaxiLite P7 and MaxiLite P10:

4.3.1 MaxiLite P7 Field Panels: A full-width (six-corrugation) panel is placed along the eave, with an overhang of at least 2 inches (51 mm) [1 inch (25.4 mm) in case of gutters] and a rake overhang of at least 1 inch (25.4 mm). All panels in the eave course must be fastened, a minimum of 2 inches (51 mm) from the bottom edge, with 3¹/₄-inch-long (83 mm), 0.171-inch-diameter (4.3 mm),

corrosion-resistant screws with 3/₈-inch-diameter (9.5 mm) heads, through the top of each barrel behind the bird stop. The screws must be installed with a 1-inch-diameter (25.4 mm) neoprene-lined washer. The panels in the intermediate courses must be installed with a minimum 4-inch (102 mm) head lap, using No. 11 gage [0.12-inch-diameter shank (3.0 mm)], 1⁵/₈-inch-long (41 mm), corrosion-resistant screws having 0.375-inch-diameter (9.5 mm) heads, secured through every other pan of the panel, 2 inches (51 mm) from the top edge, with a neoprene-lined washer. In lieu of screws, nails with galvanized steel plates (Cap-n-nail) may be used as shown in Figure 5. The nails must be corrosion-resistant, ring-shank nails, a minimum of 1¹/₂-inches-long (38 mm) and having 0.123-inch-diameter (3.1 mm) shanks, with a 7/₈-inch-square (22.2 mm), 0.045-inch-thick (1.14 mm), galvanized steel plate. Fasteners must be long enough to penetrate the sheathing a minimum of 3/₄ inch (19.1 mm). Adhesive, described in Section 3.5, must be applied on the side of each barrel, and on every overlapped barrel. The courses must be staggered and installed as shown in Figure 5.

4.3.2 MaxiLite P10 Field Panels: A full-width (four-corrugation) panel is placed along the eave, with an overhang of at least 2 inches (51 mm) [1 inch (25.4 mm) in case of gutters] and a rake overhang of at least 1 inch (25.4 mm). All panels in the eave course must be fastened with 4³/₈-inch-long (111 mm), 0.171-inch-diameter (4.34 mm), corrosion-resistant screws with 3/₈-inch-diameter (9.5 mm) heads, a minimum of 2 inches (51 mm) from the bottom edge, through the top of each barrel behind the bird stop. The screws must be installed with a 1-inch-diameter (25.4 mm) neoprene-lined washer. The panels in the intermediate courses must be installed with a minimum 4-inch (102 mm) head lap, using No. 11 gage [0.12-inch-diameter shank (3.0 mm)], 1⁵/₈-inch-long (41 mm), corrosion-resistant screws having 0.375-inch-diameter (9.5 mm) heads, secured through each pan of the panel, 2 inches (51 mm) from the top edge, with a neoprene-lined washer. In lieu of screws, nails with galvanized steel plates (Cap-n-nail) may be used as shown in Figure 6. The nails must be corrosion-resistant, ring-shank nails, a minimum of 1¹/₂-inches-long (38 mm) and having 0.123-inch-diameter (3.12 mm) shanks, with a 7/₈-inch-square (22 mm), 0.045-inch-thick (1.14 mm), galvanized steel plate. Fasteners must be long enough to penetrate the sheathing a minimum of 3/₄ inch (19.1 mm). Adhesive, described in Section 3.5, must be applied on the side of each barrel, and on every overlapped barrel. Courses must be staggered and installed as shown in Figure 6.

4.3.3 Ridges: The ridge nailer consists of nominally 2-by-4 and 1-by-2 treated lumber, nailed together. The nailer must be covered with nonperforated, Type II (No. 30) felt complying with ASTM D226. Before installation of the ridge pieces, the void between the ridge nailer and the top course must be filled with mortar complying with IBC Section 2103.7.1 or IRC Section R607.1, as applicable. As an alternate, flashing tape may be used. The ridge tile must be installed with a minimum 4-inch (102 mm) head lap and fastened to the nailer with corrosion-resistant, 8d common nails, 2 inches (51 mm) from the back of the tile. Adhesive, as noted in Section 3.5, must be applied over the fastener. The first and last ridge cap must be face-nailed. See Figure 7 for additional details.

4.3.4 Hips: A nominally 2-by-6 hip nailer must be toenailed to the top of the hip rafter after installation of the field tile, which must be mitered and applied as close to the hip nailer as possible. The hip nailers must be covered with nonperforated Type II (No. 30) felt complying with ASTM

D226. Mortar or flashing tape is applied to the felt-covered hip. The hip tile must be attached to the nailer, starting at the eave, with minimum 4-inch (102 mm) tile head laps, using one corrosion-resistant, 8d common nail with a minimum $\frac{3}{8}$ -inch-diameter (9.5 mm) head. Adhesive, as noted in Section 3.5, must be applied over fasteners. All hips must be completed before installation of the ridge tile. The bottom hip tile must be packed with mortar or otherwise closed using a round cut piece of trim or by stacking three or four trim pieces. See Figure 8 for additional details.

4.3.5 Valleys and Flashing: Valleys and flashing must be in accordance with IBC Section 1507.3.9, or IRC Section R905.3.8, as applicable. See Figures 9 and 10 for additional details.

4.3.6 Rakes: Rake nailers are nominally 2-by-2 wood pieces and must be nailed to the roof deck 1 inch (25.4 mm) from the edge. The nailers must be covered with nonperforated Type II (No. 30) felt complying with ASTM D226. Rake tile must be installed using two 8d, corrosion-resistant common nails with minimum $\frac{3}{8}$ -inch-diameter (9.5 mm) heads (top and bottom). The nails must be long enough to penetrate at least $\frac{3}{4}$ inch (19.1 mm) into receiving members. Starting from the eave, the field tile must be applied over previously installed rake tiles. An optional second rake tile may be added for a double gable trim finish. See Figure 11 for additional details.

4.3.7 Reroofing: Existing roof coverings must be removed, and installation must comply with the requirements in Sections 4.1 through 4.3.6 of this report.

4.4 SlateMax and ShakeMax:

4.4.1 SlateMax and ShakeMax Field Panels: Overhangs at gables must be a minimum of 1 inch (25.4 mm). A $\frac{1}{4}$ -inch-thick (6.4 mm) kicker strip must be installed along the eave line before the starter course of 12-inch-wide (305 mm) MaxiSlate or MaxiShake pieces is horizontally installed. The panels in the intermediate courses must be installed with a minimum 9-inch (229 mm) head lap. Each panel must be installed with six corrosion-resistant, No. 11 gage [0.12-inch-diameter shank (3.0 mm)] roofing nails, a minimum of $1\frac{1}{2}$ inches-long (38 mm) and with $\frac{7}{16}$ -inch-diameter (11 mm) heads. Nails must be long enough to penetrate the substrate a minimum of $\frac{3}{4}$ inch (19.1 mm). All nails must penetrate through the underlying course. Adhesive, as noted in Section 3.5, must be applied over all fasteners. Courses must be staggered and installed as shown in Figure 12.

4.4.2 Hips and Ridges: Six-inch-wide (152 mm) MaxiSlate or MaxiShake pieces are used for hips and ridges. The pieces must be installed horizontally along the hip or ridge over nonperforated Type II (No. 30) felt complying with ASTM D226, with a minimum 8-inch (203 mm) overlap. The roofing felt must be at least 9 inches (229 mm) wide. Each piece of the hip or ridge material must be secured with two No. 11 gage [0.12-inch-diameter shank (3.0 mm)] corrosion-resistant nails of sufficient length to penetrate a minimum of $\frac{3}{4}$ inch (19.1 mm) into the sheathing. Nails must be positioned 5 inches (127 mm) from the concealed end. Nail heads must be covered by adhesive as noted in Section 3.5. See Figure 13 for additional details.

4.4.3 Valleys and Flashing: Valleys and flashing must be in accordance with IBC Section 1507.3.9, or IRC Section R905.3.8, as applicable.

4.4.4 Reroofing: Existing roof coverings must be removed, and installation must comply with the requirements of Sections 4.1 through 4.2.2, and 4.4.1 through 4.4.3, of this report.

4.5 MaxiSlate and MaxiShake:

4.5.1 MaxiSlate and MaxiShake Field Panels: Overhangs at eaves and gables must be a minimum of 1 inch (25.4 mm). A $\frac{1}{4}$ -inch-thick (6.4 mm) kicker strip must be installed along the eave line before the starter course of 12-inch-wide (305 mm) MaxiSlate or MaxiShake pieces is horizontally installed. Butt joints along the eaves in the starter course must be placed so they will be centered under the pieces in the first course. The first course must be laid over the starter with leading edges flush with the leading edge of the starter courses. The units must be spaced $\frac{3}{8}$ inch to $\frac{1}{2}$ inch (9.5 mm to 12.7 mm) apart and fastened using two No. 11 gage [0.12-inch-diameter shank (3.0 mm)] corrosion-resistant roofing nails with $\frac{7}{16}$ -inch-diameter (11.1 mm) heads. Nails must be long enough to penetrate the sheathing a minimum of $\frac{3}{4}$ inch (19.1 mm). Fasteners must be positioned at least $\frac{3}{4}$ inch (19.1 mm) from each shake or slate edge and 1 inch (25.4 mm) above the exposure line. Adhesive, as noted in Section 3.5, must be applied over all fasteners.

4.5.2 Hips and Ridges: Installation must be in accordance with Section 4.4.2 of this report.

4.5.3 Valleys and Flashing: Valleys and flashing must be in accordance with IBC Section 1507.3.9, or IRC Section 905.3.8, as applicable.

4.5.4 Reroofing: Existing roof coverings must be removed, and installation must comply with the requirements in Sections 4.1 through 4.2.2, and 4.5.1 through 4.5.3, of this report.

4.6 Wind Resistance:

4.6.1 Standard Installation: When installation is in accordance with the appropriate parts of Section 4.0 of this report for SlateMax, ShakeMax, MaxiSlate and MaxiShake, the roofing products are limited to installation in areas subject to a maximum basic wind speed of 100 mph (161 km/h), on structures with a maximum roof height of 30 feet (9.1 m), in Exposure B areas. For allowable basic wind speeds for MaxiLite P7 see Table 1, and for MaxiLite P10 see Table 3.

4.6.2 Special Wind Resistant Installation: For installation of the MaxiLite P7 and MaxiLite P10, to achieve the required resistance to the negative wind pressures generated by the allowable basic wind speeds shown in Tables 2 and 4, the exposed fastener is installed at the top of every crown corrugation and the hidden fastener at every other valley. The wind clip must be installed at the lower edge of each overlapping corrugation. See Figure 18 for details.

For installation of the MaxiShake and MaxiSlate products, to achieve the required resistance to the negative wind pressures generated by the allowable basic wind speeds shown in Table 5, in addition to the installation as described in Section 4.5.1, above, a $\frac{1}{2}$ -inch-diameter (38mm) dab of adhesive is placed approximately centered and 2 inches (51 mm) from the butt end of each tile. See Figure 17 for details.

5.0 CONDITIONS OF USE

The MaxiLite P7, MaxiLite P10, SlateMax, ShakeMax, MaxiSlate and MaxiShake roofing products described in this report comply with, or are suitable alternatives to what is specified in, those codes listed in Section 1.0 of this report, subject to the following conditions:

5.1 The roofing products are manufactured, identified and installed in accordance with this report and the manufacturer's published installation instructions. The instructions within this report shall govern if there are any conflicts between the manufacturer's instructions and this report.

5.2 The roofing products are manufactured at Santa Clara, Edo. de Mexico, Mexico, under a quality control program with inspections by ICC-ES.

6.0 EVIDENCE SUBMITTED

Data in accordance with the ICC-ES Acceptance Criteria for Special Roofing Systems (AC07), dated May 2007.

7.0 IDENTIFICATION

Each MaxiLite P7 and P10 panel is identified by an embossment noting the evaluation report number (ESR-2058) and the date of manufacture. The packaging notes the manufacturer's name and address, product name, evaluation report number (ESR-2058).

Each pallet of SlateMax and ShakeMax panels is identified with the manufacturer's name and address, product name, evaluation report number (ESR-2058). In addition, the three top panels in each pallet are stamped on the back with the product name, the evaluation report number (ESR-2058).

Each pallet of MaxiShake and MaxiSlate is identified with the manufacturer's name and address, product name, evaluation report number (ESR-2058). In addition, one MaxiSlate or MaxiShake in each bundle is stamped on the back with the product name, evaluation report number (ESR-2058).

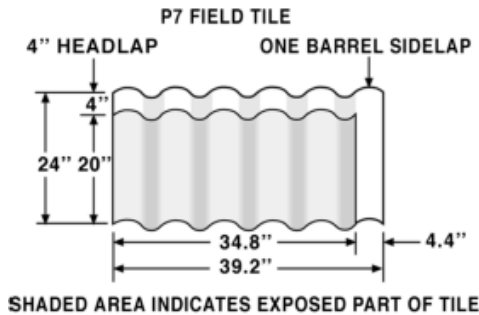


FIGURE 1—MAXILITE P7 PANEL
For SI: 1 inch = 25.4 mm.

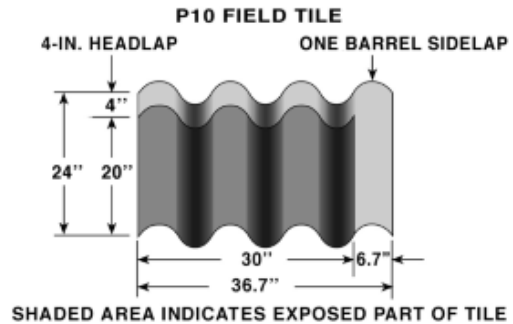


FIGURE 2—MAXILITE P10 PANEL
For SI: 1 inch = 25.4 mm.

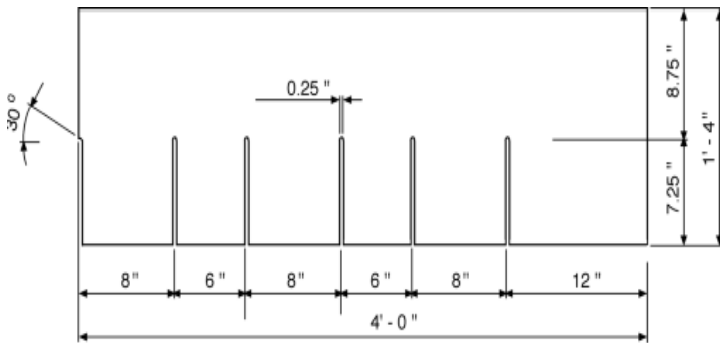


FIGURE 3—SLATEMAX AND SHAKEMAX PANELS (Nonstaggered Edge)
For SI: 1 inch = 25.4 mm.

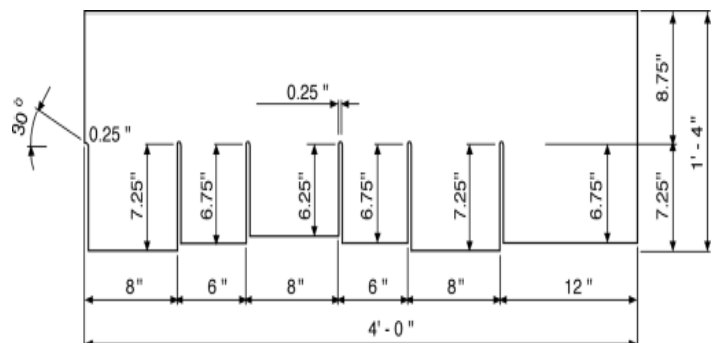


FIGURE 4—SLATEMAX AND SHAKEMAX PANELS (Staggered Edge)
For SI: 1 inch = 25.4 mm.

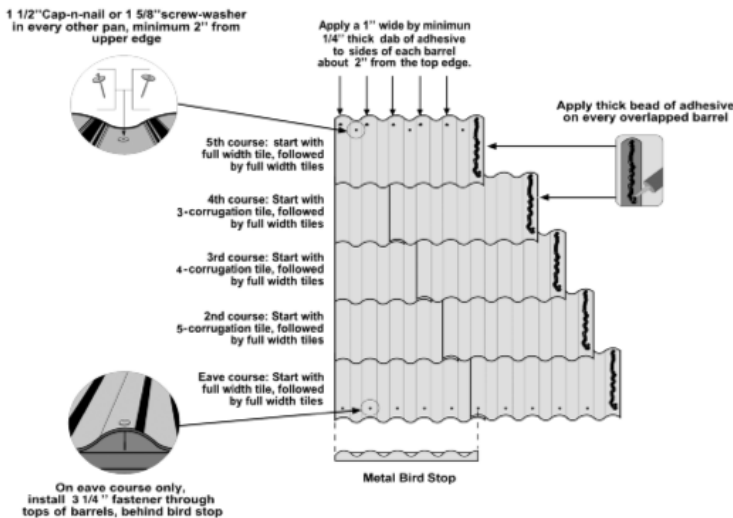


FIGURE 5—MAXILITE P7 INSTALLATION
For SI: 1 inch = 25.4 mm.

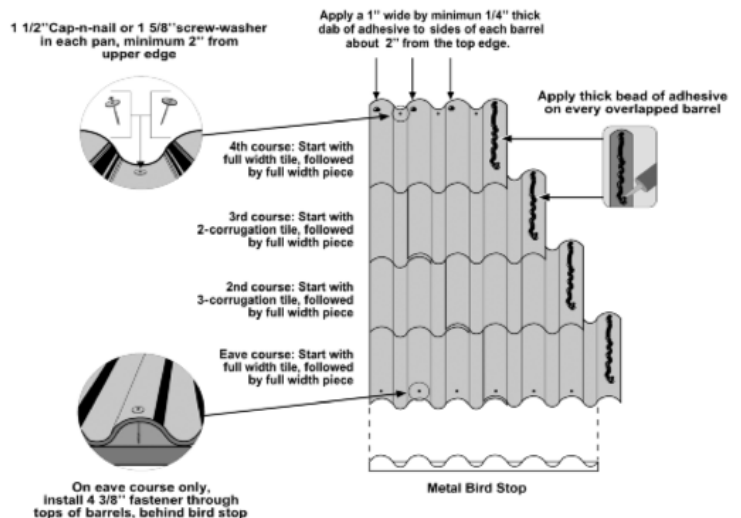


FIGURE 6—MAXILITE P10 INSTALLATION
For SI: 1 inch = 25.4 mm.

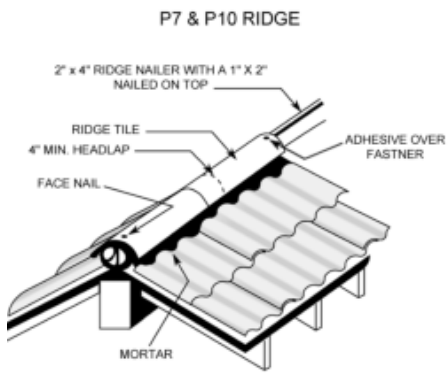


FIGURE 7—MAXILITE RIDGE
For SI: 1 inch = 25.4 mm.

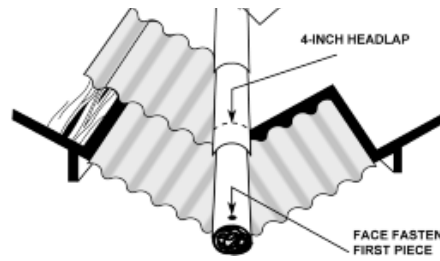


FIGURE 8—MAXILITE HIP
For SI: 1 inch = 25.4 mm.

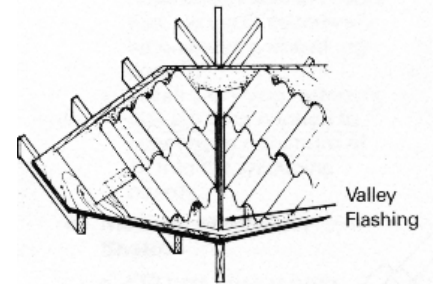


FIGURE 9—MAXILITE VALLEY
For SI: 1 inch = 25.4 mm.

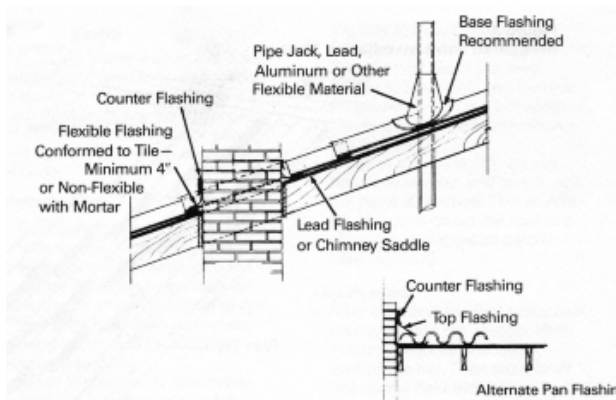


FIGURE 10—MAXILITE FLASHING
For SI: 1 inch = 25.4 mm.

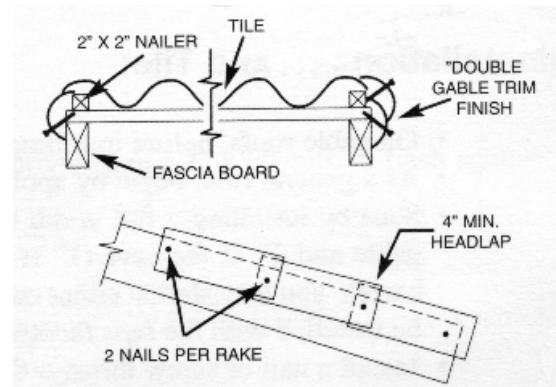


FIGURE 11—MAXILITE RAKE
For SI: 1 inch = 25.4 mm.

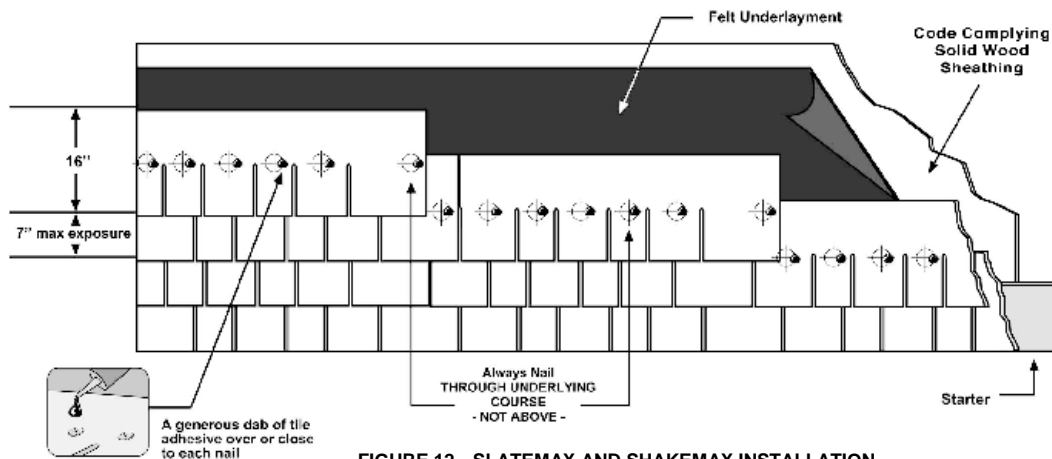


FIGURE 12—SLATEMAX AND SHAKEMAX INSTALLATION
For SI: 1 inch = 25.4 mm.

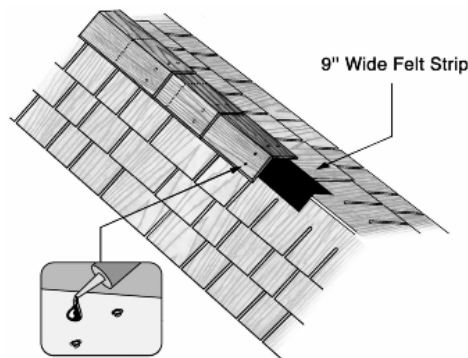


FIGURE 13—MAXISLATE OR MAXISHAKE RIDGE
(Also Used with Slatemax and Shakemax)
For SI: 1 inch = 25.4 mm.

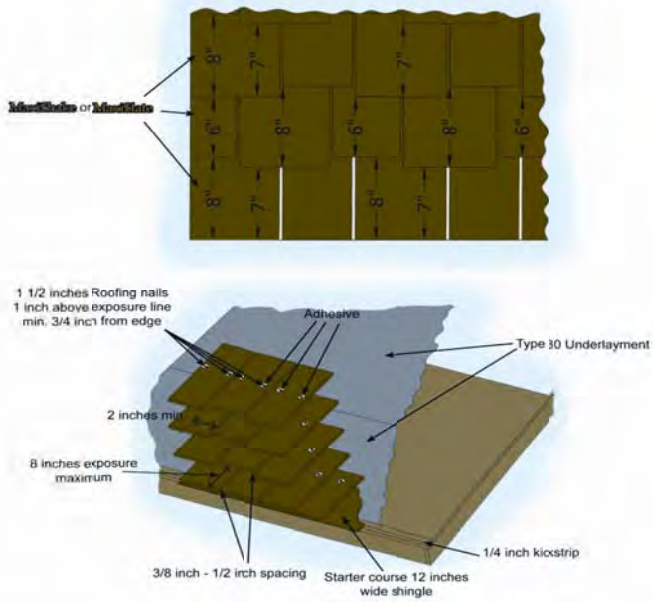


FIGURE 14—MAXISHAKE OR MAXISLATE INSTALLATION
For SI: 1 inch = 25.4 mm.

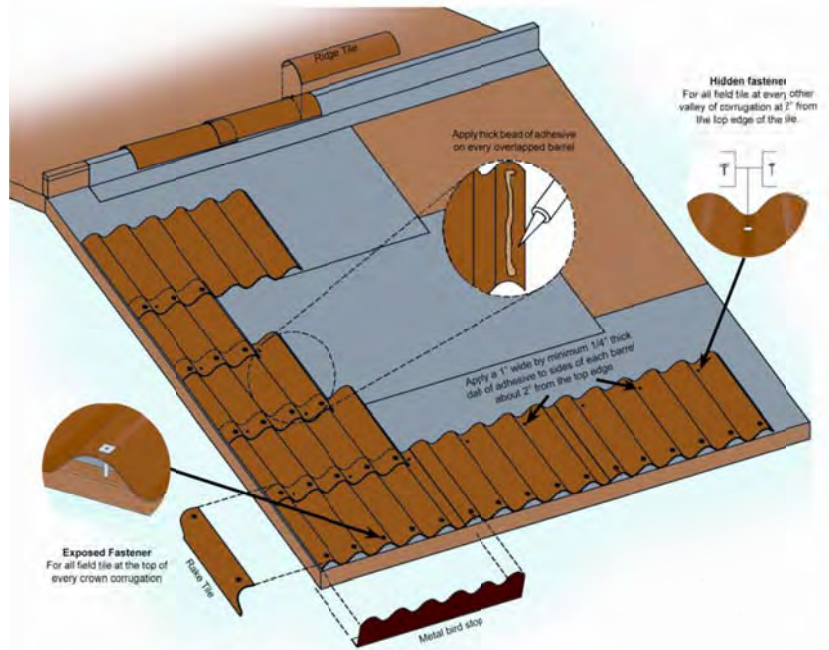


FIGURE 15—MAXILITE P7 AND P10 INSTALLATION
For SI: 1 inch = 25.4 mm.

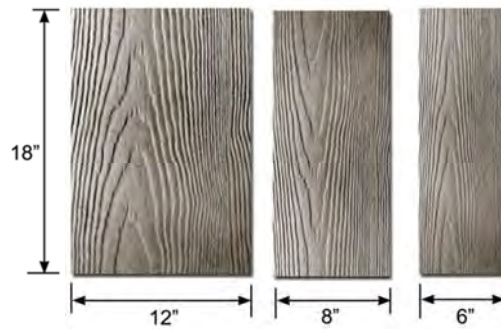


FIGURE 16—MAXISHAKE AND MAXISLATE PRODUCT DIMENSIONS
For SI: 1 inch = 25.4 mm.

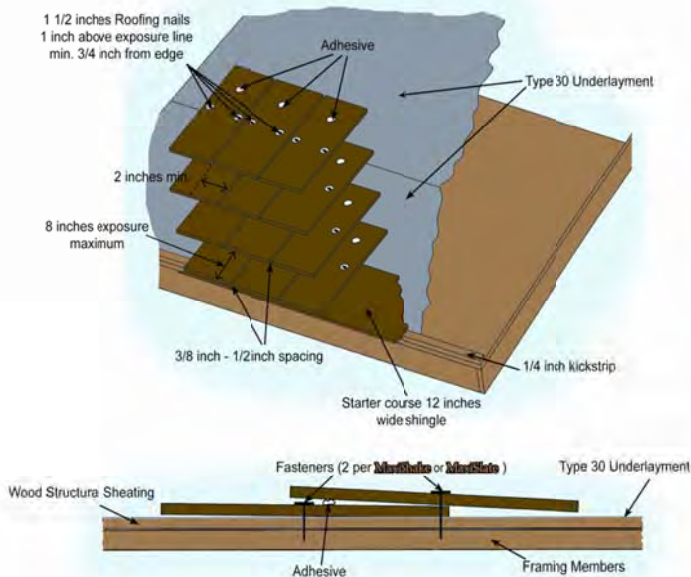


FIGURE 17—MAXISHAKE SPECIAL WIND RESISTANT INSTALLATION
For SI: 1 inch = 25.4 mm.

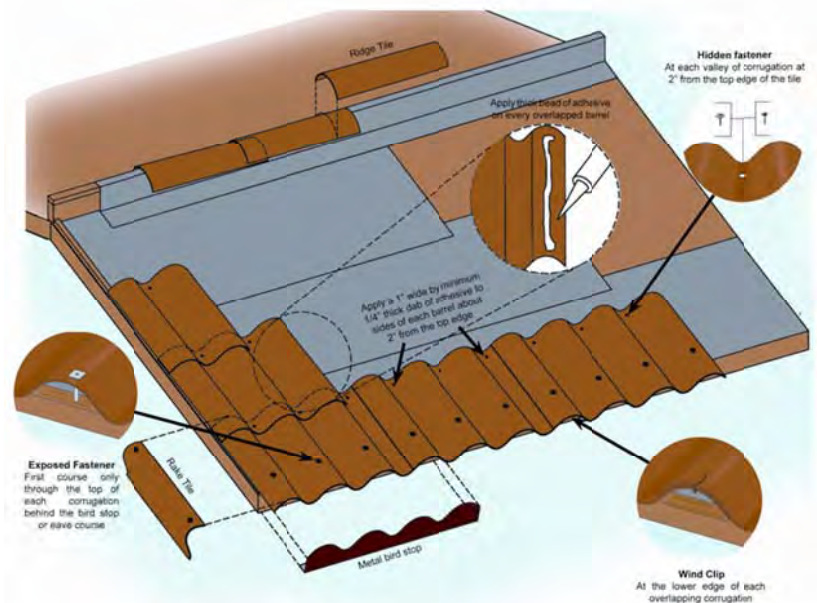


FIGURE 18—P7 AND P10 SPECIAL WIND RESISTANT INSTALLATION
For SI: 1 inch = 25.4 mm.

TABLE 1—ALLOWABLE BASIC WIND SPEED (MPH) (3-SEC GUST) FOR MAXITILE P7 ROOFING

14° ≤ Roof Slope ≤ 27°			27° < Roof Slope ≤ 45°		
When fastened per Section 4.6.1			When fastened per Section 4.6.1		
Exp B	Exp C	Exp D	Exp B	Exp C	Exp D
100	74	68	116	105	96
100	72	66	116	103	94
100	71	65	116	100	92
100	69	64	116	98	90
77	67	62	112	95	88
76	66	61	108	93	86
75	64	59	105	91	84

For SI units: 1 ft = 0.304 m; 1 mph = 1.61 km/hr.

TABLE 2—ALLOWABLE BASIC WIND SPEED (MPH) (3-SEC GUST) FOR MAXITILE P7 ROOFING

14° ≤ Roof Slope ≤ 27°			27° < Roof Slope ≤ 45°		
When fastened per Section 4.6.2			When fastened per Section 4.6.2		
Exp B	Exp C	Exp D	Exp B	Exp C	Exp D
154	140	127	170	170	170
154	136	124	170	170	170
154	133	122	170	170	170
154	130	120	170	170	170
148	126	117	170	170	166
143	123	114	170	170	162
141	121	112	170	170	159

For SI units: 1 ft = 0.304 m; 1 mph = 1.61 km/hr.

TABLE 3—ALLOWABLE BASIC WIND SPEED (MPH) (3-SEC GUST) FOR MAXITILE P10 ROOFING

Bldg Height (feet)	14° ≤ Roof Slope ≤ 27°			27° < Roof Slope ≤ 45°		
	When fastened per Section 4.6.1			When fastened per Section 4.6.1		
	Exp B	Exp C	Exp D	Exp B	Exp C	Exp D
0-15	100	73	68	115	104	94
20	100	71	66	115	103	94
25	100	70	65	115	100	92
30	100	68	63	115	98	90
40	79	66	60	112	95	88
50	75	65	59	108	93	86
60	73	64		105	91	84

For SI units: 1 ft = 0.304 m; 1 mph = 1.61 km/hr.

TABLE 4—ALLOWABLE BASIC WIND SPEED (MPH) (3-SEC GUST) FOR MAXITILE P10 ROOFING

Bldg Height (feet)	14° ≤ Roof Slope ≤ 27°			27° < Roof Slope ≤ 45°		
	When fastened per Section 4.6.2			When fastened per Section 4.6.2		
	Exp B	Exp C	Exp D	Exp B	Exp C	Exp D
0-15	158	144	130	170	170	170
20	158	140	127	170	170	170
25	158	137	125	170	170	170
30	158	134	123	170	170	170
40	152	130	120	170	170	170
50	147	127	117	170	170	167
60	144	125	115	170	170	163

TABLE 5—ALLOWABLE WIND SPEED (MPH) (3-SEC GUST) FOR MAXISHAKE/MAXISLATE

6/12 Roof Slope ¹			12/12 Roof Slope ²		
When fastened per Section 4.6.1			When fastened per Section 4.6.2		
Exp B	Exp C	Exp D	Exp B	Exp C	Exp D
147	140	120	170	170	155
147	130	118	170	166	151
147	129	116	170	162	149
147	125	114	170	159	146
141	121	111	170	154	142
139	118	109	170	151	137
133	115	106	170	148	136

For SI units: 1 ft = 0.304 m; 1 mph = 1.61 km/hr.

¹For each integer of roof slope decrease from 6:12 to 4:12, increase the velocity 6 mph up to a maximum of 170 mph.

²For each integer of roof slope decrease from 12:12 to 7:12, increase the velocity 6 mph up to a maximum of 170 mph.